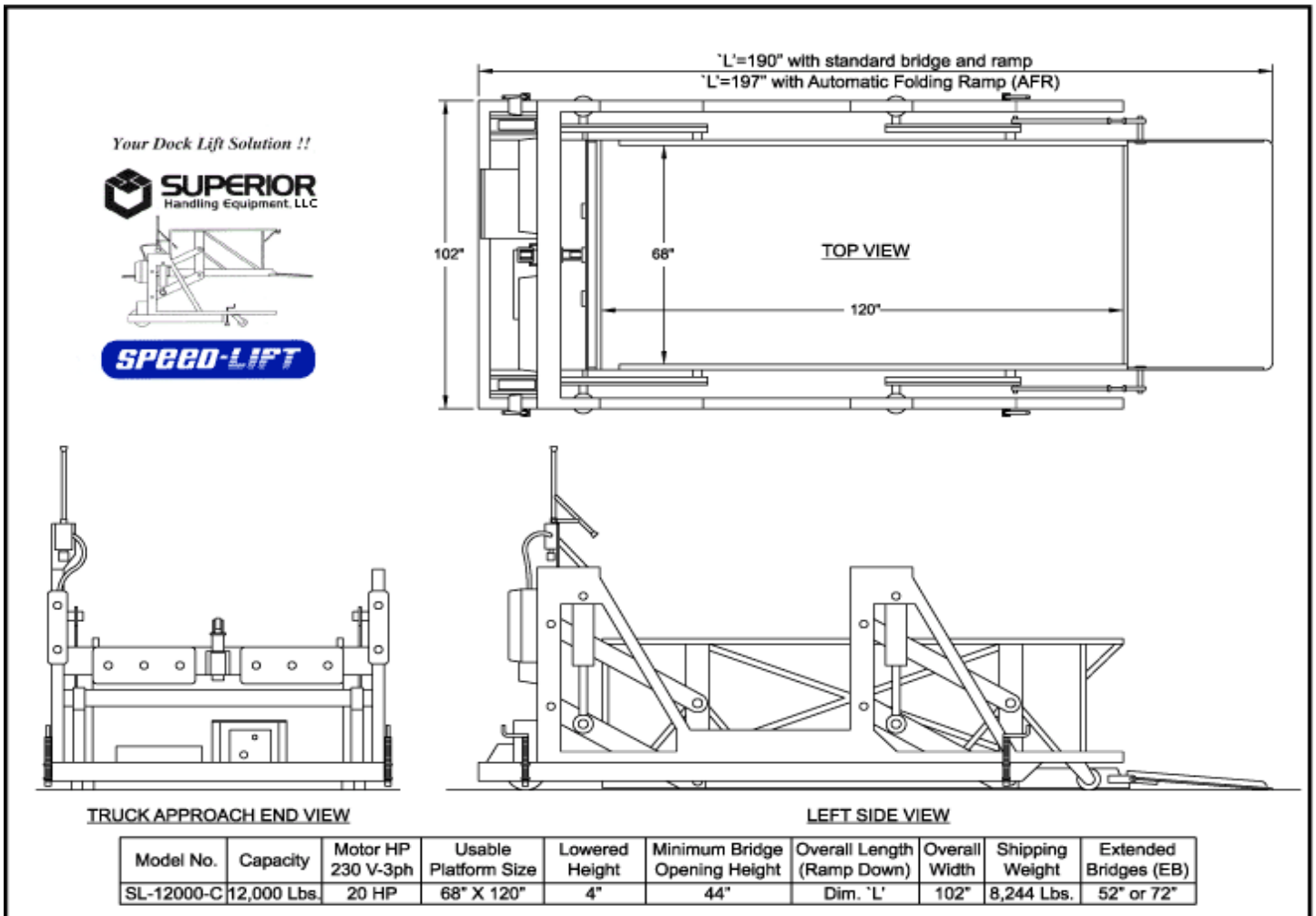




Speed-Lift SL-12000 Series Specifications

SL-12000-C

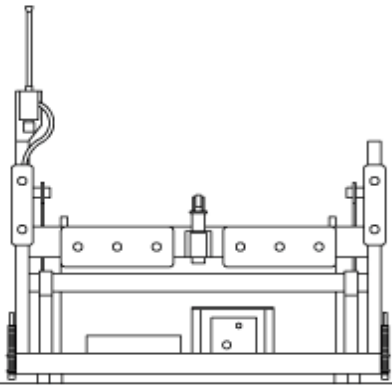
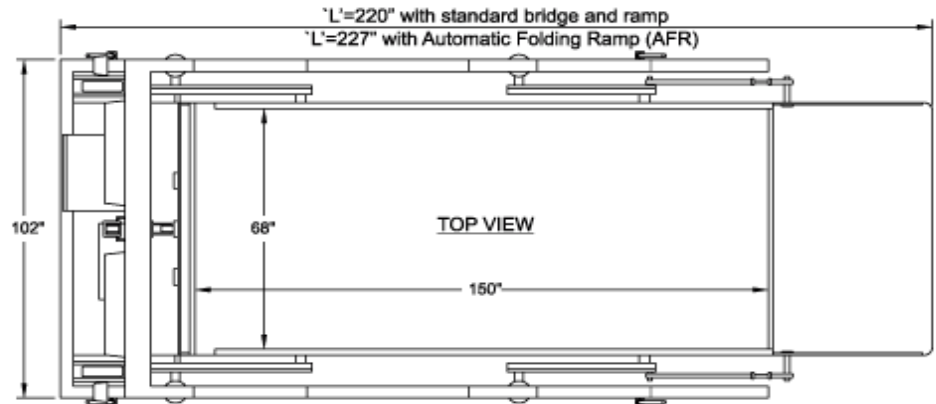


SL-12000-D

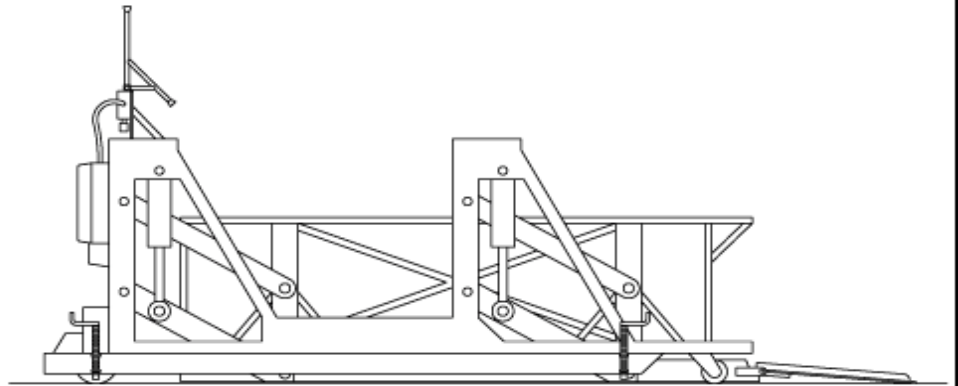
Your Dock Lift Solution !!



SPEED-LIFT



TRUCK APPROACH END VIEW

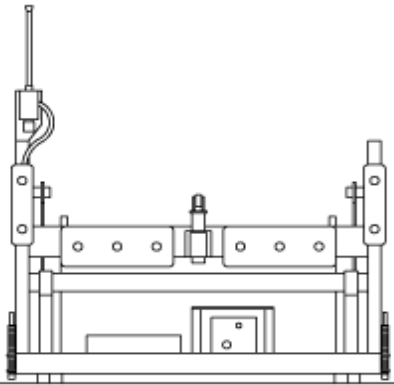
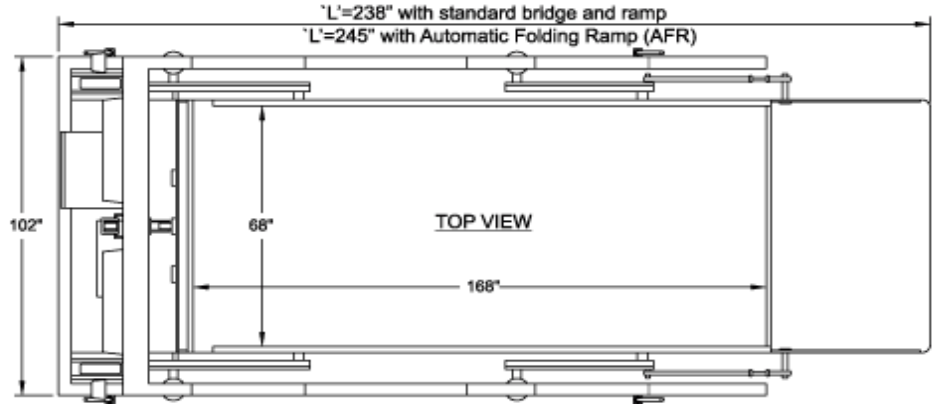
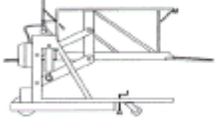


LEFT SIDE VIEW

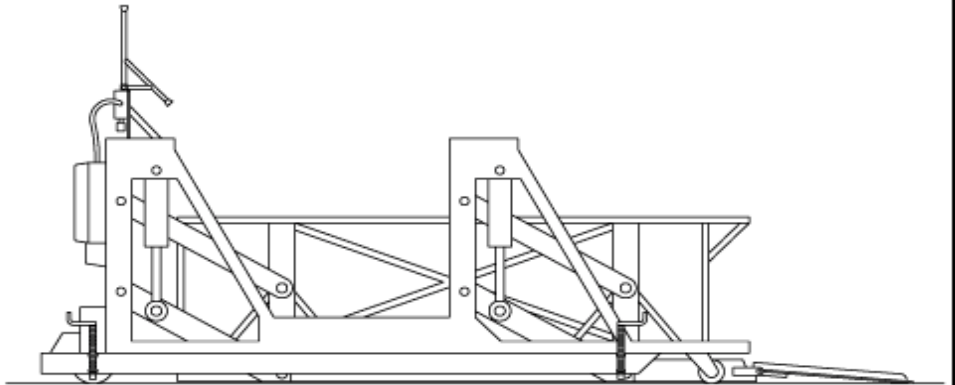
Model No.	Capacity	Motor HP 230 V-3ph	Usable Platform Size	Lowered Height	Minimum Bridge Opening Height	Overall Length (Ramp Down)	Overall Width	Shipping Weight	Extended Bridges (EB)
SL-12000-D	12,000 Lbs.	20 HP	68" X 150"	4"	44"	Dim. 'L'	102"	8,870 Lbs.	52" or 72"

SL-12000-E

Your Dock Lift Solution !!



TRUCK APPROACH END VIEW



LEFT SIDE VIEW

Model No.	Capacity	Motor HP 230 V-3ph	Usable Platform Size	Lowered Height	Minimum Bridge Opening Height	Overall Length (Ramp Down)	Overall Width	Shipping Weight	Extended Bridges (EB)
SL-12000-E	12,000 Lbs.	20 HP	68" X 168"	4"	44"	Dim. "L"	102"	9,650 Lbs.	52" or 72"