

## MODEL SL-20000 SURFACE-MOUNTED SPEED-LIFT

### 2 Year Parts & Labor Warranty

The SL-20000 from our Platinum Line is suitable for loading/unloading trucks with large forklifts and other heavy machinery.

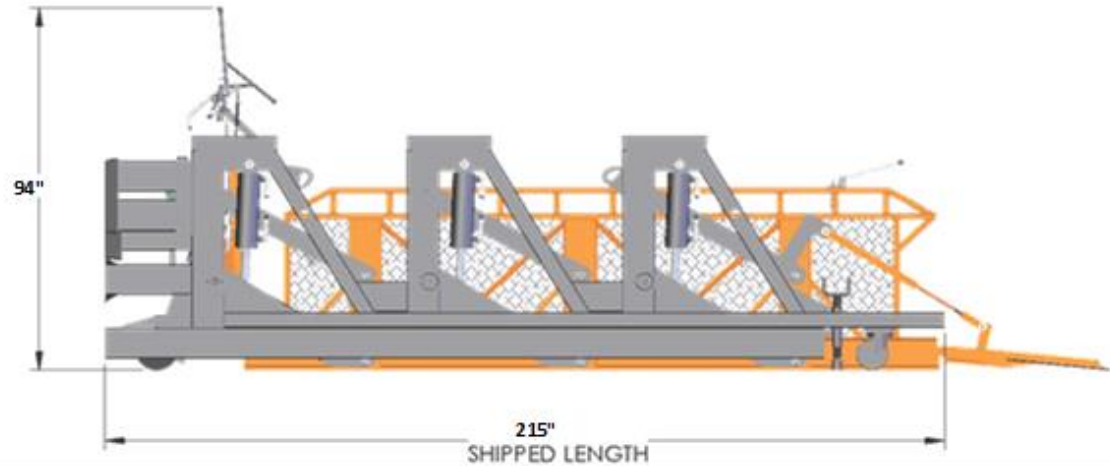
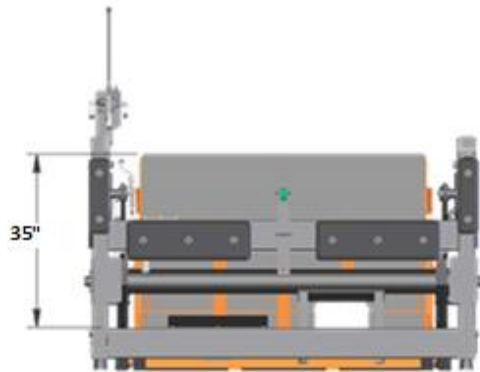
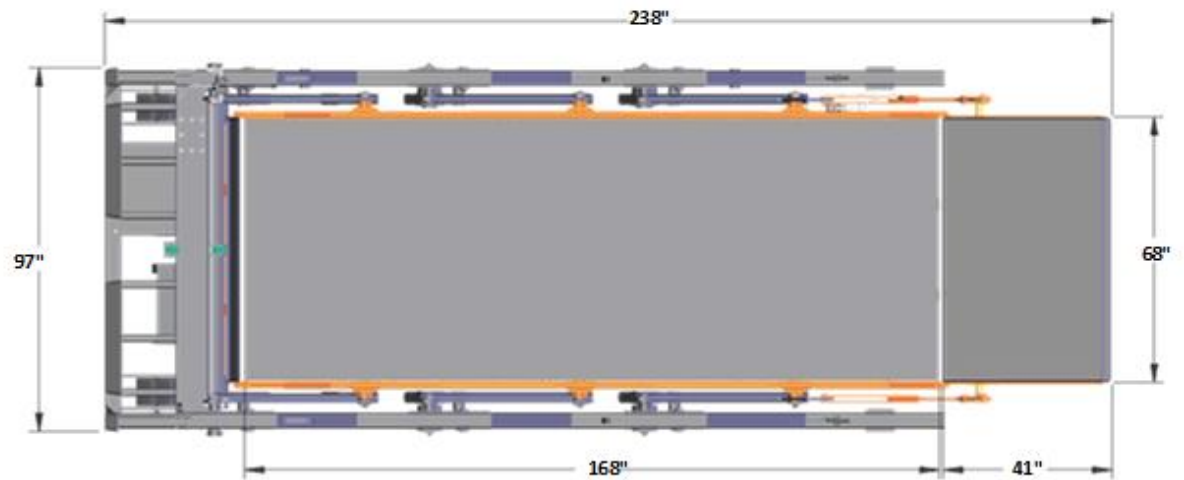


|                          |   |
|--------------------------|---|
| Capacity:                | 20,000 pounds across the entire platform    |
| Platform Size:           | E = 68" W x 168" L                          |
| Lowered Height:          | 4"  |
| Motor Size:              | 20HP  |
| Cylinder Size (Qty - 6): | 5"  |
| Hydraulic Fluid:         | Dexron III/Mercon Multi-Purpose ATF         |
| Travel Speed:            | 28.8 FPM or 10 seconds from truck to ground |
| Maximum Travel Height:   | 58"   |
| Shipping Weight:         | 11,810 pounds                               |

## Speed-Lift Key Features & Benefits:

- All production is done in the **USA with proven COTS components**
- All electrical control boxes are **UL approved**
- All Speed-Lifts conform to **ANSI MH29.1** specifications
- All models have patented **Automatic Folding Ramps** instead of safety chains. These eliminate the need for employees to maneuver around loads to manually lift and lower heavy ramps, thus **greatly reducing the risk of finger injuries**
- All units are made with high-grade steel. The platform, ramp, and bridge are **non-skid diamond plate**
- Speed-Lifts **do not require pits**, drains, bollards, building permits, or other costly on-site infrastructure
- All Speed-Lifts have a steel construction including a 3-sided lift frame which, together with the hinged ramps, provides **360-degree toe and foot protection**
- The Hydraulically Actuated Parallelogram lift mechanism ensures smooth and consistent operation with **variable speed control** for controlled ascent and descent
- Our lifts are designed to withstand severe weather conditions and operate for **more than 30 years** with routine maintenance which consists of regular lubrication of all bearings plus visual inspection of wiring and hydraulic lines for wear and tear
- The closed hydraulic control system requires a routine check of the oil level and normally **does not require any oil changes**
- The mechanical, hydraulic, and electrical systems are self-contained within the frame so **no separate control unit is required**
- All **parts can be purchased directly** from our facility in Ormond Beach, FL
- Regular **preventative maintenance contracts** are available in which your lift will be serviced twice per year

SL-20000 Series Speed-Lift



| Model No.  | Capacity (Pounds) | Motor Rating (HP) | Usable Platform Size W x L (Inches) | Platform Lowered Height Above Pad (Inches) | Minimum Bridge Opening Height Above Pad (Inches) | Maximum Bridge Opening Height Above Pad (Inches) | Overall Length - Ramp Down - (Inches) | Maximum Width (Inches) | Ramp Length (Inches) | Bridge Length (Inches) | Shipped Length (Inches) |
|------------|-------------------|-------------------|-------------------------------------|--|--|--|---------------------------------------|------------------------|----------------------|------------------------|-------------------------|
| SL-20000-E | 20,000            | 20                | 68 x 168                            | 4.000                                      | 45.5   | 59.0   | 238                                   | 97                     | 41                   | 35                     | 215                     |

**Lift Part Number:** SL-20000-E-AFR-SBP-PLP-GA/SS-230V/3Ph

**Lift Description:** SL-20000-E Speed-Lift - 20000 Pounds Capacity (68" x 168" Platform) with a Standard Bridge - <5" Pad Height/Elevation Difference - configured with a 35" Standard Length Bridge and including 41" Automatic Folding Ramp, Step Bumper Protectors, Ground Anchor System - Core Drill Sleeves - Existing Concrete Pad, 230VAC/3 Phase Power Supply, and Platform Locking Pin